

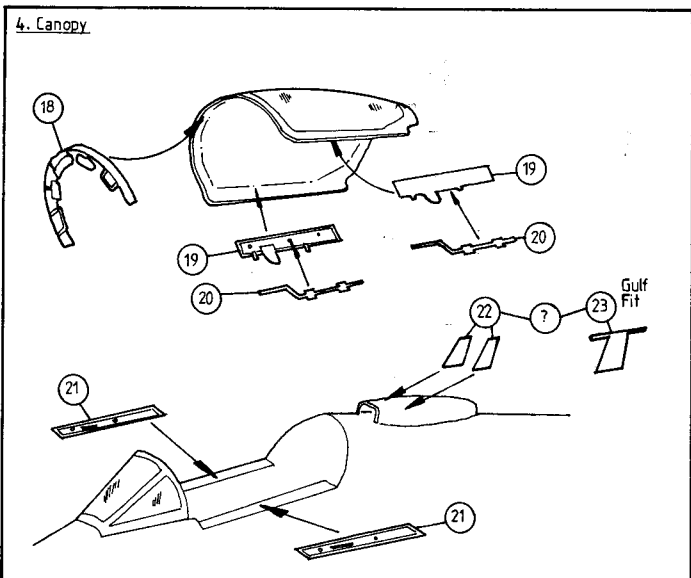
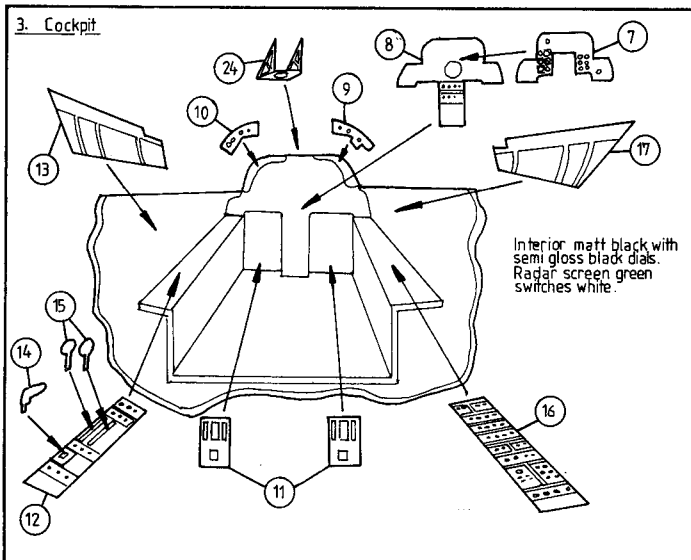
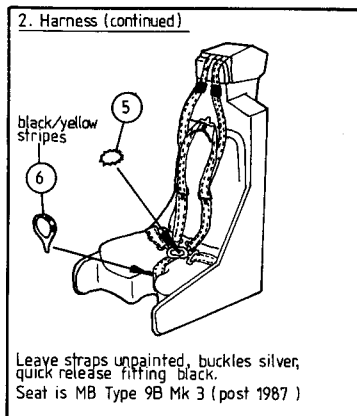
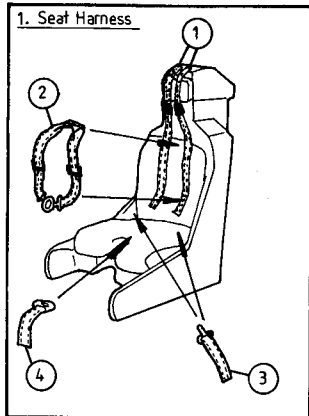
This detail set is manufactured from photo etched brass sheet and is meant for use on the Hasegawa kit although with modification it could be used on the Airfix version.

Use a sharp modelling knife or scalpel to separate components from frame, ensuring that this is done on a firm flat surface, as near to the part as possible. Tag scars can be cleaned by holding part in pliers and using a fine file. To fold part, support up to line of fold in pliers, and fold in one go, using the blade of a screwdriver for leverage.

For assembly use superglue or epoxy using only epoxy on clear parts. Before painting ensure that parts are fully defluxed by cleaning in liquid detergent and rinsing in clean water. Dry parts thoroughly and prime with self etching primer or matt enamel. Position of parts in diagrams is for guidance only. For colouring and final positioning consult reference material. Recommended is "Jaguar" in the Warbirds fotofax series.

Airwaves are designed and manufactured in the Midlands for E.D. Models, 64 Stratford Road, Shirley, Solihull, West Midlands B90 3LP, England. Telephone:-021-744-7488.

Airwaves are distributed in the U.S.A. by M.M.D., Squadron Mail Order, 1115 Crowley Drive, Carrollton, Texas 75011-5010, U.S.A. Telephone:-1-214-242-8663.



5. Air Brakes, Gun Ports and Aerials

